

190-930-190 40" Snow Thrower (1989)
40" Snow Thrower Drive Assembly

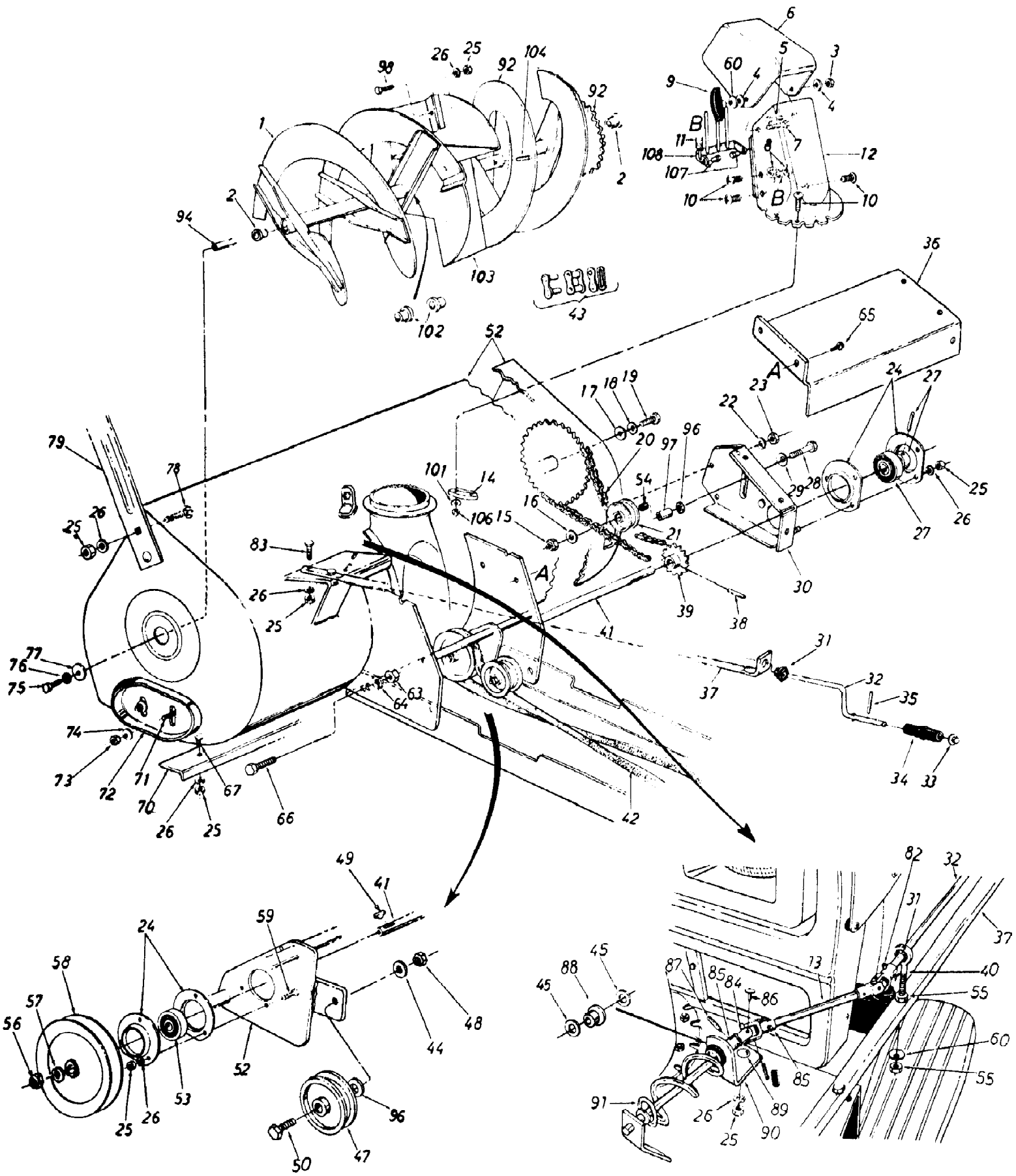
Page 2 of 6

Ref #	Part Number	Qty	S/P/F	Description
1	784-5091	1		Guide Bracket
2	732-0233	1	S	Helper Spring
3	711-0332	1	S	Clevis Pin
4	736-0169	1	S	L.-Wash. 3/8" I.D.*
5	712-0241	1	/P	Hex L.-Nut 3/8-24 Thd.
6	05714	1		Attaching Plate
7	736-0921	1	S	L.-Wash. 1/2" I.D.*
8	712-0239	1	S	Hex L.-Nut 1/2-20 Thd.
9	05719	1		Front Support Channel
10	710-0771	1	/P	Hex Bolt 3/8-16 x 3.75" 4.
11	710-0504	1		Hex Bolt 1/2-20 x 1.25" Lg.*
12	736-0169	1	S	L.-Wash. 3/8" I.D.
13	712-0342	1	/P	Hex Jam Nut 3/8-16 Thd.
14	741-0919	2	S	Ball Bearing
15	736-0119	1	S	L.-Wash. 5/16" I.D.*
16	712-0267	1	S	Hex nut 5/16-18 Thd.*
17	738-0246	1		Spindle
18	754-0291	1	S	"V"Belt
19	736-0158	1	S	L.-Wash. 5/8" I.D.*
20	712-0242	1	S	Hex Jam Nut 5/8-11 Thd.
21	710-0152	1	S	Hex Bolt 3/8-24 x 1.00" 4.*
22	736-0192	1	S	Flat Washer
23	714-0101	1	S	Internal Cotter Pin
24	05718	1		Rear Support Angle-R.H.
25	738-0163	1		Shld. Bolt .623" Dia. x .258"
26	05716	1	S	Rear Hanger Brkt.-R.H.
27	710-0152	1	S	Hex Bolt 3/8-24 x 1.0" Lg.*
28	736-0319	1	S	Fl.-Wash. 44" I.D. x 1.38" O.D. x .130
29	712-0290	1	/P	Hex L.-Nut 7/16-24 Thd.
30	05715	1		Rear Hanger Brkt.-L.H.
31	05717	1	S	Rear Support Angle-L.H.
32	756-0457	1		Lower Drive Pulley 5/8 x 5.56
33	714-0388	1	S	#6 Hi-Pro Key 3/16 x 5/8" Dia.
34	08253	1	S	Bearing Housing
35	05713	1	S	Supporting Bracket
37	710-0322	1	S	Hex Sems Bolt 5/16-18 x 1.00" Lg.
38	736-0258	1	/P	Fl.-Wash. .38" I.D. x 1.00" O.D. x .135
39	748-0193	1	S	Spacer .38" I.D. x .62" O.D.
40	756-0405	1	/P	Fl.-Idler Pulley
41	756-0216	1		Upper Drive Pulley
44	754-0206	1	S	"V"Belt
51	13778	1		Reinforcement Plate
52	750-0511	1		Spacer.37" I.D. x .562" O.D. x 1.50" Lg.
53	732-0470A	1	S	Extension Spring .54" O.D. x 4.75" Lg.
54	712-0266	1	S	Hex Cent. L.-Nut 3/8-16 Thd.
55	712-0342	1	/P	Hex Jam Nut 3/8-16 Thd.
56	703-1292	1	S	Idler Arm Ass'y.
57	756-0417	1	S	Idler PULlev
58	710-0756	1		Hex Bolt 3/8-16 x 2.25" Lg.
59	712-0342	1	/P	Hex Jam Nut 3/8-16 Thd.
60	750-0252	1	S	Spacer.377" I.D. x .60" O.D. x .830" Lg.
61	748-0193	1	S	Spacer .380" I.D. x .630" O.D. x 565" Lg.
62	738-0143	1		498 Dia. x .340

190-930-190 40" Snow Thrower (1989)
40" Snow Thrower Drive Assembly

Page 3 of 6

Ref #	Part Number	Qty	S/P/F	Description
63	712-0375	1	/P	Hex Cent. L.-Nut 3/8-16 Thd.
64	710-0698	1	/P	Hex Bolt 1/4-28 x 1.50" Lg.
65	736-0329	1	S	L.-Wash. 1/4" I.D.
66	712-0138	1	S	Hex Nut 1/4-28 Thd.
67	14399	1	S	Lift Link



190-930-190 40" Snow Thrower (1989)
40" Snow Thrower Tine Assembly

Page 5 of 6

Ref #	Part Number	Qty	S/P/F	Description
1	784-5221	1	S	Spiral Ass'y. (L.H.)
2	741-0227	1		Flange Bearing
3	712-0158	1	S	Hex Cent. L.-Nut 5/16-18 Thd.
4	736-0231	1	S	Fl.-Wash. .344" I.D.
5	710-0323	1	/P	Truss Mach. Scr. 5/16-18 x .75" Lg.
6	731-0846B	1	S	Upper Chute
7	710-0276	1	/P	Carriage Bolt 5/16-18 x 1.0" Lg.
8	712-0291	1	S	Hex L-Nut 1/4-20 Thd.
9	09966	1	S	Hand Knob
10	710-0255	1	S	Truss Mach. Scr. 1/4-20 x .75" Lg.
11	732-0118	1	S	Ext. Spring
12	731-0843B	1	S	Lower Chute
13	747-0523A	1		Chute Crank Extension Rod
14	731-0851	1	S	Chute Flange Keeper
15	712-0375	1	/P	L.-Nut 3/8-16 Thd.
16	736-0300	1	S	Fl.-Wash.
17	736-0179	1	S	Fl.-Wash.
18	736-0253	1	S	Belleville Wash.
19	710-0493	1	S	Hex Bolt 1/2-13 x 1.00" Lg.*
20	713-0189	1		#420 Chain 1/2" Pitch x 77 0 Links
21	756-0358A	1		Plastic Idler 2.00" O.D.
22	736-0329	1	S	L.-Wash. 1/4" I.D.*
23	712-0287	1	S	Hex Nut 1/4-20 Thd.4
24	741-0311	1	S	Bearing Housing
25	712-0267	1	S	Hex Nut 5/16-18 Thd.*
26	736-0119	1	S	L.-Wash. 5/16" I.D.*
27	741-0310	1	S	Self-Aligning Bearing
28	710-0347	1	/P	Hex Bolt 3/8-16 x 1.75" Lg.*
29	736-0105	1	/P	Belleville Wash. 3/8" I.D.
30	05721A	1		Chain Guard Ass'y.
31	741-0475	1	S	Nylon Bushing
32	747-0438	1	S	Chute Crank .375 Dia. x 34.5" Lg.
33	726-0100	1	S	Push Nut 3/8" Rod
34	720-0201A	1	/P	Knob (Black)
35	715-0138	1	S	Roll Pin
36	784-5092A	1		Drive Shaft Cover
37	749-0675	1		Crank Support Tubin
38	715-0118	1	S	Spring Pin Spiral 5/16" Dia. x 1.75" Lg.
39	713-0188	1		14 Teeth Sprocket Ass'y.
40	747-0481A	1	/P	Eyebolt 5/16-18 x 3.0" Lg.
41	784-5078	1	S	Drive Shaft
42	754-0291	1	S	"V" Belt
43	713-0154	1	S	Master Link for #420 Chain
44	736-0169	1	S	L.-Wash. 3/8" I.D.*
45	736-0140	1	S	Fl.-Wash. .385 I.D. x .62" O.D.
47	756-0417	1	S	Fl.-Idler with Flanges
48	712-0342	1	/P	Hex Jam L.-Nut 3/8-16 Thd.
49	714-0388	1	S	#61 Hi-Pro Key 3/16 x 5/8" Dia.
50	710-0347	1	/P	Hex Bolt 3/8-16 x 1.75" Lg.*
52	784-5081A	1		Spiral Housing Ass'y.
53	741-0309	1	S	Self-Aligning Bearing
54	741-0322	1		Sleeve Bearing .50" I.D.
55	712-0267	1		Hex Nut 1/4-20 Thd.*

190-930-190 40" Snow Thrower (1989)
40" Snow Thrower Tine Assembly

Page 6 of 6

Ref #	Part Number	Qty	S/P/F	Description
56	712-0301	1	/P	Hex Nut 3/4-10 Thd.
57	736-0367	1	S	L.-Wash. 3/4" I.D.
58	756-0456	1		"V" Pulley .750" I.D. x 6.00" O.D.
59	710-0198	1	S	Hex Sems Bolt 5/16-18 x .75" Lg.*
60	736-0242	1	/P	Bell-Wash. .345" I.D. x .88" O.D.
63	712-0206	1	S	Hex Nut 1/2-13 Thd.*
64	736-0921	1	S	L.-Wash. 1/2" I.D.*
65	710-0599	1	/P	Hex Wash. Hd. Tap Scr. 1/4-20 0 x .50" Lg.
66	710-0490	1		Hex Bolt 1/2-13 x 2.75" Lg.*
67	710-0451	1	/P	Carriage Bolt 5/16-18 x .75"
70	05723	1		Shave Plate
71	710-0790	1	S	Carriage Bolt 3/8-16 x .62" Lg.*
72	784-5038A	1	S	Skid Shoe
73	712-0342	1	/P	Hex Jam Nut 3/8-16 Thd.
74	736-0105	1	/P	Belleville Wash. 3/8" I.D.
75	710-0493	1	S	Hex Bolt 1/2-13 x 1.00" Lg.*
76	736-0253	1	S	Belleville Wash. 1/2" I.D.
77	736-0179	1	S	Fl.-Wash.
78	710-0260	1	S	Carriage Bolt 5/16-18 x .62" Lg.
79	05139A	1	S	Drift Cutter
82	714-0111	1	S	Cotter Pin
83	710-0442	1	S	Hex Bolt 5/16-18 x 1.50" Lg.*
84	711-0584	1		Joint Block
85	05066	1		Joint Bracket Ass'y.
86	728-0147	1		Oval Head Rivet
87	715-0129	1		Spring Pin Roll 1/8" Dia. x .75" Lg.*
88	741-0475	1	S	Nylon Bushing
89	710-0451	1	/P	Carriage Bolt 5/16-18 x .75" Lg.
90	784-5085A	1	/P	Chute Crank Bracket
91	784-5084A	1	S	Chute Crank Ass'y.
92	784-5222	1	S	Spiral Ass'y. (R.H.)
94	05737	1		Spiral Axle
96	736-0247	1	/P	Flat Washer
97	750-0252	1	S	Idler Spacer
98	710-0451	1	/P	Carriage Bolt 5/16-18 x .75" Lg.
101	736-0142	1	S	Fl.-Wash. 1/4" I.D.
102	741-0227	1		Plastic Bushing
103	784-5216	1	S	Rotor Paddle Ass'y.
104	715-0118	1	S	Spring Pin Spir. 5/16" Dia. x 1.75" Lg.
106	712-0107	1	S	Hex L.-Nut 1/4-20 Thd.
107	738-0561	1	S	Shld. Nut 1/4-20 Thd.
108	784-5192	1	S	Chute Guard Ass'y.